

**Stack Parking – Surface Mounted Stackers**

► **swiss-park V-1 Junior**

The V-1 is the ideal machine for low ceiling garages. Its angled platform allows space for parking one car over another in garages where stacked parking would not be possible otherwise.

**Dimensions**

All space requirements are minimum finished dimensions. Tolerances for space requirements + 1" . Illustration's dimensions in cm.

**Parking possibilities**

Standard passenger car and station wagon. Passenger car length and height in accordance with contour.

width	6'-3"
weight	max. 5500 lbs
wheel load	max. 1375 lbs

EB (single platform) = 2 vehicles

Typ	Clear height*
V-1 155	5'-1"
V-1 170	5'-7"

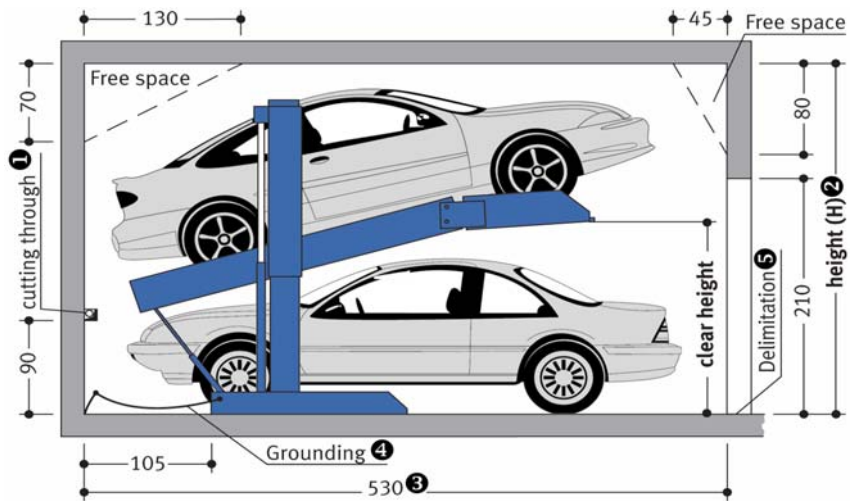
\* without vehicles

**Version 1**

Typ	H	above backward	below forward
V-1 155	9'-6"	car/sw** height 4'-11"	car/sw** height 4'-11"
V-1 170	10'-0"	car/sw** height 4'-11"	car/sw** height 5'-3"

\*\* sw = station wagon

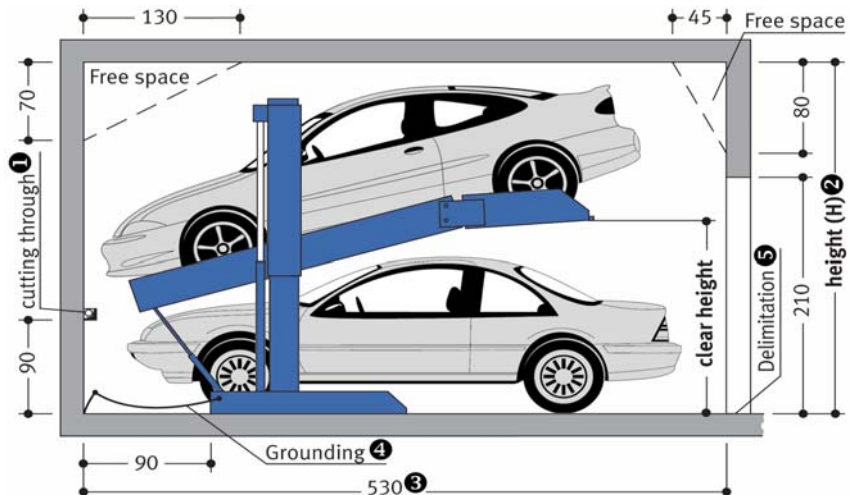
**Before lowering the platform, the vehicle parked in the lower parking space must be driven off!**



**Version 2**

Typ	H	above forward	below forward
V-1 155	10'-0"	only cars height 4'-11"	car/sw** height 4'-11"
V-1 155	10'-6"	car/sw height 4'-11"	car/sw height 4'-11"
V-1 170	10'-6"	car/sw height 4'-11"	car/sw height 5'-3"
V-1 170	11'-0"	car/sw height 4'-11"	car/sw height 5'-3"

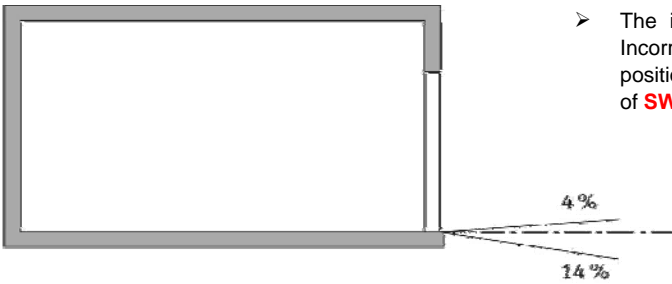
\*\* sw = station wagon



**Notes**

- ❶ For dividing walls: cutting through 4" x 4" (for pipes)
- ❷ If the total height is greater, the max. vehicle height for the upper parking space increases accordingly.
- ❸ If the total length is greater, the max. vehicle length for the lower parking space increases accordingly.
- ❹ Potential equalization from foundation grounding connection to system.
- ❺ In compliance with DIN EN 14 010, 4" wide yellow-black markings compliant to ISO 3864 must be applied by the customer with a distance of 3' to the edge of the platform in the access area to mark the danger zone in front of the supporting surface of the upper platform edge (see »Load Plan«, Page 2).

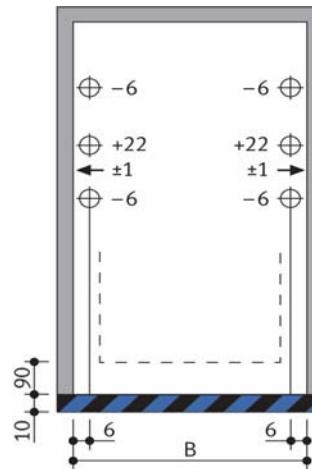
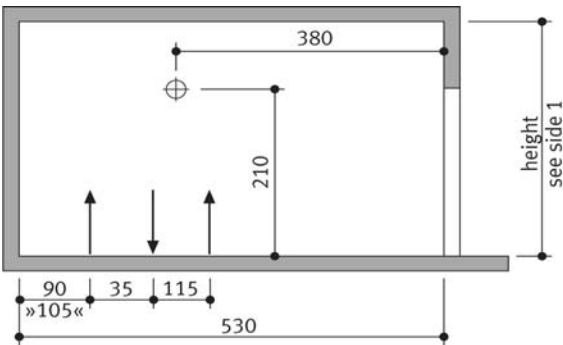
**Approach**



- The illustrated maximum approach angles must not be exceeded. Incorrect approach angles will cause serious manoeuvring & positioning problems on the parking system for which the local agency of **SWISS-PARK** accepts no responsibility.

**Load plan**

Forces in kN



Markings compliant to ISO 3864  
(Colors used in this illustration are not ISO 3864 compliant)

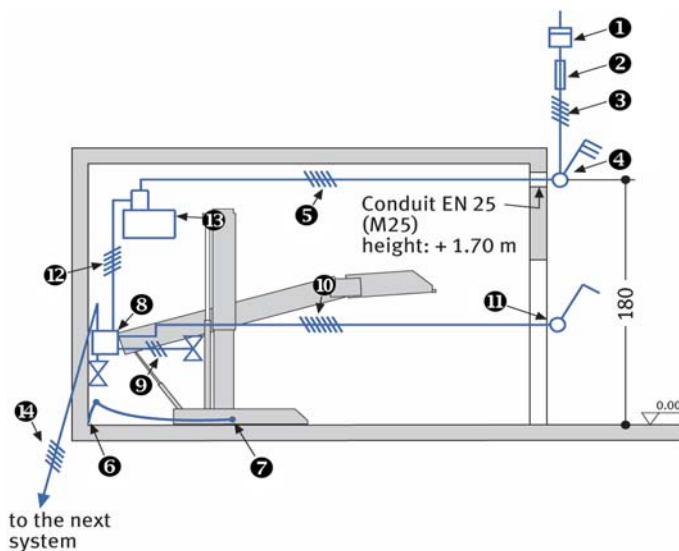
- Units are anchored to the floor. Drilling depth: approx. 6". Floor and walls are to be made of concrete (quality minimum C20/25)!

## Electrical installation

### Installation diagram

#### Electrical data (to be performed by the customer)

No.	Quantity	Description	Position	Frequency
1	1	Electricity meter	in the supply line	
2	1	Main fuse: 3 x fuse 16 A (slow) or circuit breaker 3 x 16 A (trigger characteristic K, G or C)	in the supply line	1 per unit
3	1	Supply line 5 x 2.5 mm <sup>2</sup> (3 PH + N + PE) with marked wire and protective conductor	to main switch	1 per unit
4	1	Lockable main switch	defined at the plan evaluation	1 per unit
5	1	Supply line 5 x 2.5 mm <sup>2</sup> (3 PH + N + PE) with marked wire and protective conductor	from main switch to unit	1 per unit
6	every 10 m	Foundation earth connector	corner pit floor	
7	1	Equipotential bonding in accordance with DIN EN 60204 from foundation earth connector to the system		1 per system



#### Electrical data (included in delivery of

#### SWISS-PARK Systems)

No.	Description
8	Terminal box
9	Control line 3 x 0.75 mm <sup>2</sup> (PH + N + PE)
10	Control line 7 x 1.5 mm <sup>2</sup> with marked wire and protective conductor
11	Operating device
12	Control line 5 x 1.5 mm <sup>2</sup> with marked wire and protective conductor
13	Hydraulic unit 3.0 kW, three-phase current, 400 V / 50 Hz
14	Control line 5 x 1.5 mm <sup>2</sup> with marked wire and protective conductor

## Technical data

### Range of application

Generally, this parking system is not suited for short-time parkers (temporary parkers). Please do not hesitate to contact your local **SWISS-PARK** agency for further assistance.

### Units

Low-noise power units mounted to rubber-bonded-to metal mountings are installed. Nevertheless we recommend that parking system's garage be built separately from the dwelling.

### Available documents

- wall recess plans
- maintenance offer/contract
- declaration of conformity
- test sheet on airborne and slid-borne sound

### Corrosion protection

See separate sheet regarding corrosion protection.

### Railings

If there are traffic routes next to or behind the installations, railings compliant to DIN EN 294 must be installed by the customer. Railings must also be in place during construction.

## Technical data

### Environmental conditions

Environmental conditions for the area of **SWISS-PARK** Systems: Temperature range -10 to +40° C. Relative humidity 50 % at a maximum outside temperature of +40° C. If lifting or lowering times are specified, they refer to an environmental temperature of +10° C and with the system set up directly next to the hydraulic unit. At lower temperatures or with longer hydraulic lines, these times increase.

### Sound insulation

According to DIN 4109 (Sound insulation in buildings), para. 4, annotation 4, **SWISS-PARK** Systems are part of the building services (garage systems).

**Normal sound insulation:** DIN 4109, para. 4, Sound insulation against noises from building services.

Table 4 in para. 4.1 contains the permissible sound level values emitted from building services for personal living and working areas. According to line 2 the maximum sound level in personal living and working areas must not exceed 30 dB (A). Noises created by users are not subject to the requirements (see table 4, DIN 4109). The following measures are to be taken to comply with this value:

- Sound protection package according to offer/order
- Minimum sound insulation of building  $R'w = 57$  dB (to be provided by customer)

**Increased sound insulation** (special agreement): DIN 4109, Amendment 4, Information on planning and execution, proposals for increased sound insulation.

**Agreement:** Maximum sound level in personal living and working areas 25 dB (A). Noises created by users are not subject to the requirements (see table 4, DIN 4109).

The following measures are to be taken to comply with this value:

- Sound protection package according to offer/order
- Minimum sound insulation of building  $R'w = 62$  dB (to be provided by customer)

Note: User noises are noises created by individual users in our **SWISS-PARK** Systems. These can be noises from accessing the platforms, slamming of vehicle doors, motor and brake noises.

## To be performed by the customer

### Safety fences

Any constraints that may be necessary according to DIN EN 294 in order to provide protection for the park pits for pathways directly in front, next to or behind the unit. This is also valid during construction.

### Numbering of parking spaces

Consecutive numbering of parking spaces.

### Building services

Lighting, ventilation, fire extinguishing and fire alarm systems.

### Marking

According to DIN EN 14 010, a warning that identifies this danger area must be placed in the entrance area that conforms to ISO 3864. This must be done according to EN 92/58/EWG for systems without a pit 10 cm from the edge of the platform.

### Wall cuttings

Any necessary wall cuttings according to page 1.

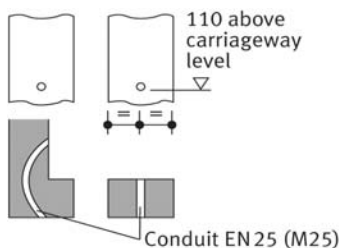
### Electrical supply to the main switch

Suitable electrical supply to the main switch and the control wire line must be provided by the customer during installation. The functionality can be monitored on site by our fitters together with the electrician. If this cannot be done during installation for some reason for which the customer is responsible, the customer must commission an electrician at their own expense and risk.

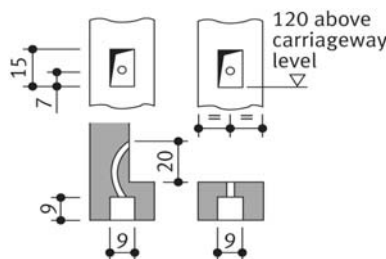
### Operating device

Cable conduits and recesses for operating device (for double wing doors: please contact the local agency of **SWISS-PARK**).

#### Operating device exposed



#### Operating device concealed



If the following are not included in the quotation, they will also have to be provided / paid for by the customer:

- Mounting of contactor and terminal box to the wall valve, complete wiring of all elements in accordance with the circuit diagram
- Costs for final technical approval by an authorized body

## Description

### General description

**SWISS-PARK** System providing dependent parking spaces for 2 cars one on top of the other each. The lower vehicle parks directly plate. The vehicle parked on the bottom must be driven out lowering the platform.

Dimensions are in accordance with the underlying dimensions parking pit, height and width

The upper vehicle is driven onto and parked on an inclined platform with a slope of approx. 5 %).

Vehicles are positioned on the upper parking space using wheel stops on the right side (adjust according to operating instructions).

Operation via operating device with hold-to-run-device using master keys.

The operating elements are usually mounted either in front of the column or on the outside of the door frame

Operating instructions are attached to each operator's stand.

For garages with doors at the front of the parking system the dimensional requirements have to be taken into account.

### Stack Parking – Surface Mounted Stackers consisting of:

- 2 steel pillars with base plates (mounted on the floor)
- 2 sliding platforms (mounted to the steel pillars with sliding bearings)
- 1 platform
- 1 telescopic taught rod between platform and base plates, a mechanic synchronization control system (to ensure synchronous operation of the sliding platforms while lowering and lifting the platform)
- 1 hydraulic cylinder
- 1 automatic mechanic locking systeme (prevents accidental lowering of the platform from its upper limit position)
- Dowels, screws, connecting elements, bolts, etc.
- The platforms and parking spaces are end-to-end accessible for parking!

### Platforms consisting of:

- Platform base sections
- Adjustable wheel stops
- Canted access plates
- Side members
- Cross members
- Screws, nuts, washers, distance tubes, etc.

### Hydraulic system consisting of:

- Hydraulic cylinder
- Solenoid valve
- Safety valve
- Hydraulic conduits
- Screwed joints
- High-pressure hoses
- Installation material

### Electric system consisting of:

- Operating device (Emergency Stop, lock, 1 master key per parking space, push-button)
- Terminal box at wall valve
- Electrical locking device

### Hydraulic unit consisting of:

- Hydraulic power unit (low-noise, installed onto a console with a rubber-bonded-to-metal mounting)
- Hydraulic oil reservoir
- Oil filling
- Internal geared wheel pump
- Pump holder
- Clutch
- 3-phase-AC-motor (3.0 kW, 230/400 V, 50 Hz)
- Contactor (with thermal overcurrent relay and control fuse)
- Test manometer
- Pressure relief valve
- Hydraulic hoses (which reduce noise transmission onto the hydraulic pipe)

## We reserve the right to change this specification without further notice

The **SWISS-PARK** company reserves the right in the course of technical progress to use newer or other technologies, systems, processes, procedures or standards in the fulfillment of their obligations other than those originally offered provided the customer derives no disadvantage from their so doing.